

Yamhill Series | Picture Windows

Our Yamhill Series is offered as single or multi-lite configurations with a continuous frame design, allowing for configurations that bring vast spans of natural light and views to your projects.

The Yamhill Series is fusion-welded, assuring strength, durability, and years of trouble-free service. Available in white, sandstone, and clay on which a number of solid colors or wood-grain foils can be laminated. The Yamhill series is also internally glazed allowing for ease of service for high rise applications if needed.

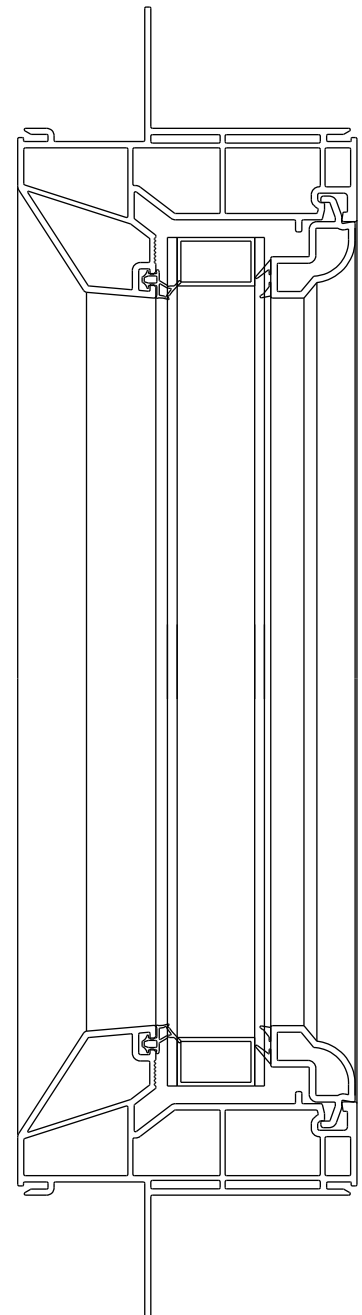
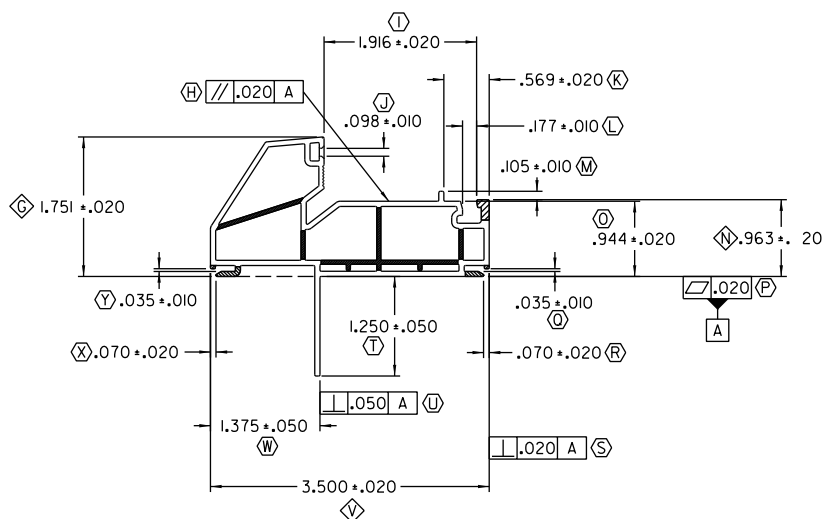
Features:

Frame Depth: 3-1/2"

Up to 1-3/8" glazing capability for increased energy efficiency and acoustical performance.

Stucco Key Nail Fin set back: 1"

Accessory Groove Nail Fin set back: 1-3/8"



Configuration	Test Size	AAMA	U Factor	SHGC
Picture Window	84" x 108"	LC-PG30	0.26	0.24